

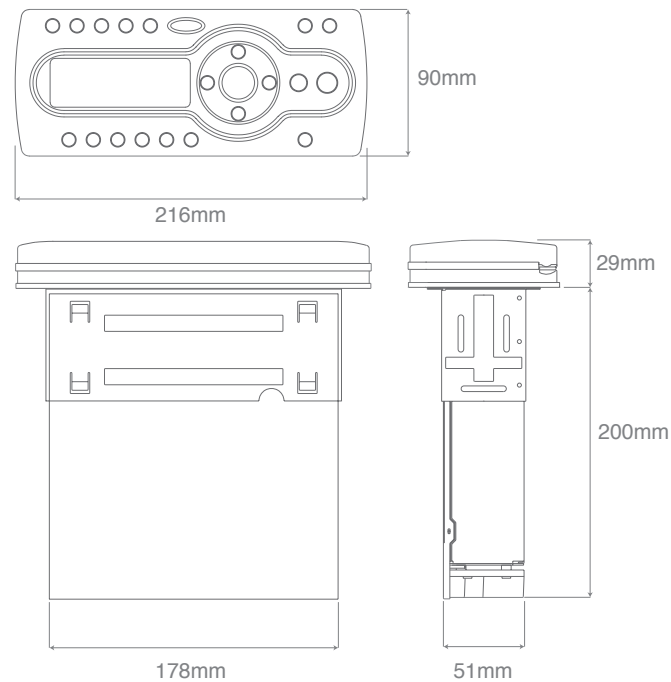
AQ-CD-4B WATERPROOF CD MEDIA CONTROL CENTER



Specifications:

Type:	CD/iPod/iPhone/USB/MP3/AM/FM
Color:	Black
iPod/iPhone Ready:	Yes - via AQ-USBIP-6 cable (included)
iPod/iPhone Charging:	Yes - via AQ-USBIP-6 cable (included)
Dual Zone/Dual Source:	Yes
Inputs:	USB, Aux In (2x RCA), IR (3.5mm Jack)
Outputs:	1x RCA Sub-out, 2x RCA Pre-out,
Wired Remote Ready:	Yes AQ-WR-4F (sold separately)
Wireless RF Remote Ready:	Yes AQ-RF-34 (sold separately)
Operation Voltage:	10.7 to 15.6V
Current Draw:	7A (max), 17mA (standby)
Output Power (max):	4x 45W @ 4 Ohms, 4x 72W @ 2 Ohms
AM/FM Tuner:	18x FM, 12x AM pre-set memory, switchable US/Euro frequencies
Waterproof:	Yes - IP66
Conformal PCB Coating:	Yes
UV Protection:	ASTM D4329 compliant, 500 hrs stable
Salt/Fog Protection:	ASTM B117 compliant, 500 hrs stable
Certifications:	CE, ROHS, WEE, FCC
Fascia Material:	500hrs UV stable, UL approved
Chassis Material:	Stainless Steel
Max Mounting Angle:	30°
Dimensions (HxWxD):	90 x 229 x 216 mm
Accessories:	Protective Dust Cover AQ-SPC-4B (included)
Additional Features:	4-line Dot Matrix LCD display, adjustable LCD brightness Back-up memory (EEPROM) DSP EQ, Bass/Treble, Balance/Fader 2x 12V trigger outputs Stainless Steel mounting hardware

Dimensions:



Design and specification subject to change without notice.E&OE

Aquatic AV

282 Kinney Drive
San Jose, CA 95112, USA

E-mail: info@aquaticav.com

US & Canada: 1 877 579 2782

International: +1 408 559 1668

Fax: +1 408 559 0125

www.aquaticav.com